

Manual Steel Boiler



3
YEARS
GUARANTEE

Maximum fuel efficiency, controlled combustion standards, economic heating and comfort are at home with MKK series Maktek Manual Steel Boiler

- Works with all kinds of solid fuels like wood, coal, seeds, nuts.
- Automatic anti-blocking function that protects the system during summer months when the boiler is not in use
- Speed adjustable fan keeps the ambient temperature constant and provides controlled burning
- Semi-cylindrical and smoke tubular interior design provides maximum efficiency
- Combustion chamber capacity meets daily fuel amount
- Thanks to the moving grid shaking arm, the ashes are easily poured into the lower tray and decrease in combustion quality is prevented



CE

 **MAKTEK**
Wood | Coal | Pellet | Boiler

Manual Steel Boiler Standarts

- 21 kw – 465 kw Capacity Options
- With the integrated electronic circuit system, the fan speed is automatically adjusted according to the chimney status.
- The water temperature in the system is adjusted from the screen on the device.
- The ambient temperature is kept constant at the set temperature thanks to thermostat control.
- The safe operating system protects the boiler against overheating.
- When the fuel in the boiler is completely exhausted and the system temperature drops below 25 degrees, the unit switches itself off automatically.
- The ergonomic design of loading, cleaning and discharge flaps provides ease of use.
- The operation of the boiler is controlled by the electronic circuit system hence possible problems are minimized.

- The air sent by the fan to the combustion chamber ensures clean, controlled and complete burning of the coal.

- Boiler is cleaned in short time thanks to practical ash cleaning mechanism.

- 3 year warranty, widespread service organization.

- Safe operation in the event of a power failure thanks to open expansion installation (assuming that the connection has been made correctly under the conditions specified in the installation manual)

- Wet rotor, 3 speed step circulation pump provides the desired circulation

- Ability to set the device's temperature and display usage information with the digital display control panel.

- Thanks to specially designed flame breakers located inside the smoke pipes, the flue gas temperature is reduced to nominal values and the efficiency of the device is maximized

- CE certified High efficiency with smoke duct design.

- Economical and efficient combustion adjustment with chimney flap.

- Protection against circulator blockage in summer months when the boiler is not in use for a long time.

- The circulator automatically starts to operates for 15 seconds and stops in every 24 hours

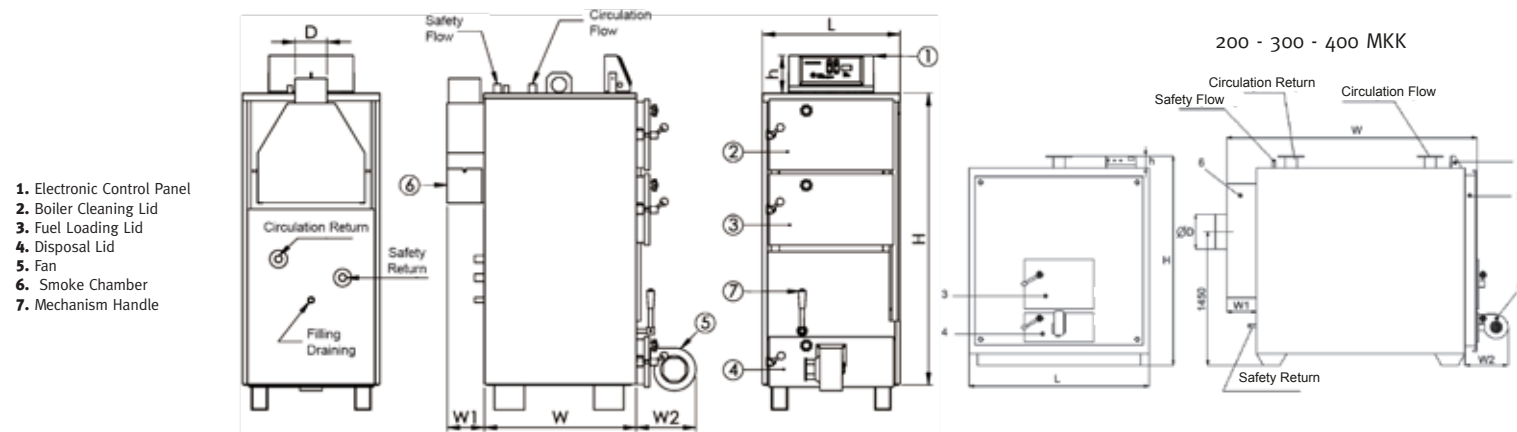
- The circulation pump automatically switches on when the boiler temperature reaches 40 ° C. Pump is included in 18MKK, 25 MKK and 40MKK models and optional in other models.

- The ash formed during combustion reduces the combustion quality. To improve the combustion quality, ash can be easily poured into the bottom plate thanks to the shake out function of the movable grill arm.

Note: All specified specifications are subject to proper flue installation.

TECHNICAL SPECIFICATIONS		18 MKK	25 MKK	40 MKK	60 MKK	80 MKK	100 MKK	125 MKK	150 MKK	200 MKK	300 MKK	400 MKK
BOILER TYPE		18 MKK	25 MKK	40 MKK	60 MKK	80 MKK	100 MKK	125 MKK	150 MKK	200 MKK	300 MKK	400 MKK
Capacity	Kcal/h	18.000	25.000	40.000	60.000	80.000	100.000	125.000	150.000	200.000	300.000	400.000
Heating Power	Kw	21	29	46	69	93	116	146	174	232	348	465
Weight	Kg	232	256	290	345	400	500	700	800	1050	1750	2208
Working Pressure	bar	3	3	3	3	3	3	3	3	3	3	3
Test Pressure	bar	4,5	4,5	4,5	4,5	4,5	4,5	4,5	4,5	4,5	4,5	4,5
H	mm	1130	1280	1375	1510	1620	1780	1792	1795	1795	1625	1625
h	mm	155	155	155	155	155	155	155	155	155	155	155
L	mm	570	570	570	660	660	800	800	800	800	1540	1540
W	mm	670	670	825	825	825	950	1154	1215	1620	1750	2130
W ₁	mm	180	180	250	250	250	250	290	250	290	220	220
W ₂	mm	250	250	250	250	250	250	250	310	310	310	310
ØD		130	130	160	160	160	180	220	250	250	350	350
Circulation Flow - Return	1"	1"	1 1/4"	1 1/2"	1 1/2"	1 1/2"	2"	DN65	DN65	DN65	DN100	DN100
Safety Flow	1"	1"	1"	1 1/4"	1 1/4"	1 1/4"	1 1/4"	2"	1 1/2"	1 1/2"	1 1/2"	2"
Safety Return	1"	1"	1"	1 1/4"	1 1/4"	1 1/4"	1 1/4"	1 1/4"	1 1/4"	1 1/4"	1 1/4"	1 1/2"
Filling- Draining	mm	1/2"	1/2"	1/2"	1/2"	1/2"	1/2"	1/2"	1/2"	1/2"	3/4"	3/4"
Boiler Setting Range min.-max. °C		35/90	35/90	35/90	35/90	35/90	35/90	35/90	35/90	35/90	35/90	35/90
Boiler Water Volume lt		32	46	81	117	174	187	187	380	586	1200	1600
Open Expansion	lt	45	60	100	150	200	250	315	375	500	750	1000
>> ELECTRIC CIRCUIT												
Voltage	V~/Hz	230/50	230/50	230/50	230/50	230/50	230/50	230/50	230/50	230/50	230/50	230/50
Power	W	160	160	188	95	95	95	95	225	225	605	605
Electric isolation	IP	14A	14A	14A	14A	14A	14A	14A	14A	14A	14A	14A

* Circulation pump is installed by the installer or company in 69 kw and above capacity boilers. The boiler power values may vary according to circulation pump power. Normalized sheet metal is used in the production of the boilers 4 mm thickness of metal is used at inner case, 6 mm metal is used for combustion pipes



Headquarters

10013 Street No: 14 AOSB Çiğli / İZMİR / TURKEY
Phone: +90 232 449 5000(pbx)
Fax: +90 232 328 0486

export@maktek.com.tr | maktek.com.tr

Istanbul Office

Seyit Nizam Mah. Demirciler Sitesi,
Street 7 No:68 Zeytinburnu / İSTANBUL / TURKEY
Phone: +90 212 415 4870 - 546 7367
Fax: +90 212 415 9687