



Automatic Coal Boiler



Maktek Automatic Coal Boiler adds both economy and comfort to house heating with new smoke duct interior design, maximum fuel efficiency, high isolation standards and electronic control panel.

- Fully automatic fuel feeding system provides continuous supply of fuel to the boiler
- Large capacity fuel tank
- Wide capacity range from 29 kw up to 290 kw
- Burns coal up to 20 mm diameter thanks to automatic fuel loading function
- Can also operate with all kinds of pellet as a back up fuel
- Thermostat to keep the heater at the desired constant temperature
- Domestic hot water function can be added optionally

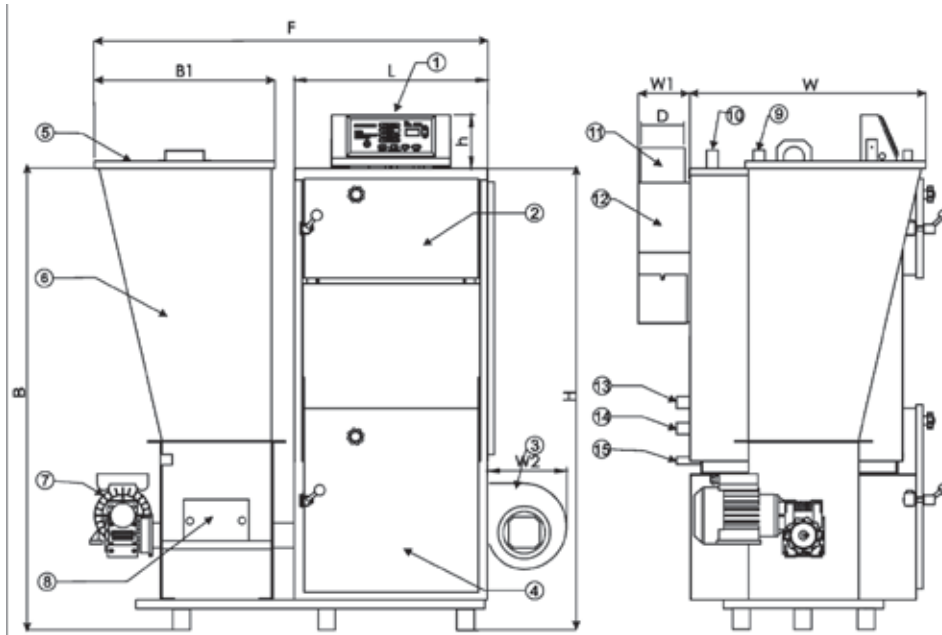


MAKTEK
Coal | Wood | Pellet | Boiler



TECHNICAL SPECIFICATIONS										
BOILER TYPE		25 MKK-S	40 MKK-S	60 MKK-S	80 MKK-S	100 MKK-S	125 MKK-S	150 MKK-S	200 MKK-S	250 MKK-S
Capacity	kcal/h	25.000	40.000	60.000	80.000	100.000	125.000	150.000	200.000	250.000
Heat Power	kw	29	46	69	93	116	145	174	232	290
Weight	kg	378	436	442	480	670	792	950	1200	1450
Working Pressure	bar	3	3	3	3	3	3	3	3	3
Test Pressure	bar	4,5	4,5	4,5	4,5	4,5	4,5	4,5	4,5	4,5
H	mm	1350	1400	1450	1590	1750	1750	2060	2060	2090
h	mm	125	125	125	125	125	125	125	125	125
L	mm	680	680	680	680	850	850	880	880	1120
W	mm	660	825	880	800	1000	1200	1200	1700	1750
W1	mm	180	250	250	250	250	250	290	290	290
W2	mm	250	250	250	250	250	250	250	300	300
∅D	mm	130	160	160	160	180	220	250	250	300
F	mm	1300	1300	1360	1360	1530	1530	1560	1560	1820
B	mm	1180	1180	1295	1395	1525	1625	1725	1725	1725
B1	mm	570	570	630	630	630	630	630	630	630
Circulation Inlet-Return	mm	1"	1 1/4"	1 1/2"	1 1/2"	2"	DN65	DN65	DN65	DN100
Safety Inlet	mm	1"	1"	1 1/4"	1 1/4"	1 1/4"	1 1/4"	1 1/2"	1 1/2"	1 1/2"
Safety Return	mm	1"	1"	1 1/4"	1 1/4"	1 1/4"	1 1/4"	1 1/4"	1 1/4"	1 1/4"
Filling -Draining	mm	1/2"	1/2"	1/2"	1/2"	1/2"	1/2"	1/2"	1/2"	1/2"
Boiler Setting Range (Min - Max) (°C)		35/90	35/90	35/90	35/90	35/90	35/90	35/90	35/90	35/90
Boiler Water Volume	Lt	46	81	117	174	187	235	380	665	890
Open Expansion	Lt	60	100	150	200	250	315	375	500	625
>> ELECTRIC CIRCUIT										
Voltage /Frequency	V~/Hz	230/50	230/50	230/50	230/50	230/50	230/50	230/50	230/50	230/50
Power (maximum)	W	910	938	845	845	845	975	975	1325	1325
Electric Isolation Degree	IP	14A	14A	14A	14A	14A	14A	14A	14A	14A

*Circulation pump is installed by the installer for 69 kw capacity boilers. The boiler power values may vary according to circulation pump.



Room thermostat function (optionally)

- | | |
|--------------------------------|-------------------------|
| 1. Control Panel | 9. Circulation Inlet |
| 2. Boiler Cleaning Lid | 10. Safety Inlet |
| 3. Fan | 11. Chimney Outlet Pipe |
| 4. Boiler Fuel Ignition Lid | 12. Smoke Box |
| 5. Griddle | 13. Circulation Return |
| 6. Bunker | 14. Safety Return |
| 7. Engine with Reductor | 15. Filling- Draining |
| 8. Bunker Fuel Discharging Lid | |

Automatic Coal Boiler Standarts

- Saves energy thanks to special body design.
- System stops unnecessary functioning of fan, pump and motor when the system temperature drops down to 25 degrees and fuel is completely used.
- Uses the heat gained from fuel at full capacity thanks to three pass burning chamber.
- Combusting air that comes from framework surface of combustion chamber enables homogenous burning of coal
- Silent working speed controlled fan with clamp enables highest efficiency
- Provides circulation at desired speed thanks to circulation pump with 3 stage speed and wet rotor hence enabling energy saving
- Safe working against extreme heating thanks to safety thermostat
- Potential corrosions are minimized thanks to casted combustion chamber
- Ash is disposed to ash drawer thanks to automatic loading function
- Monitoring the system water temperature thanks to digital screen
- Electronic control panel
- Monitoring waiting and loading times from electronic control panel
- 2 years guarantee
- CE certified.

Headquarters

10013 Street No: 14 AOSB Çiğli / İZMİR / TURKEY
Phone: +90 232 449 5000(pbx)
Fax: +90 232 328 0486

export@maktek.com.tr | maktek.com.tr

Istanbul Office

Seyit Nizam Mah. Demirciler Sitesi,
Street 7 No:68 Zeytinburnu / İSTANBUL / TURKEY
Phone: +90 212 415 4870 - 546 7367
Fax: +90 212 415 9687