

OIL BOILER



Maktek Oil Boilers provide convenient heating with practical compact design, including oil burner.



- Ergonomic design**
- Compact**
- Easthetic**
- Cylindrical surface**
- Full automatic**
- Easy installation**
- Reliable**



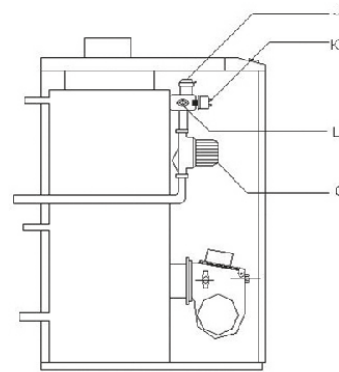
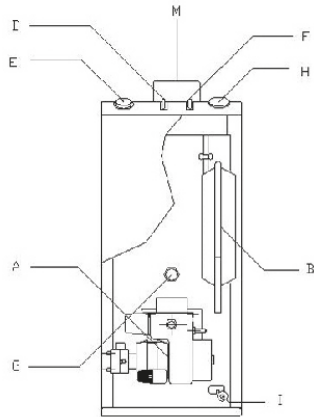
**2 YEAR
WARRANTY**

MAKTEK®

TECHNICAL SPECIFICATIONS

BOILER TYPE	20,000	25,000	35,000
Capacity (kcal/h)	20,000	25,000	35,000
Capacity (kW)	24	29	40
Boiler Water Volume (lt)	28	32	37
Weight (kg)	100	120	135
Operating Pressure (bar)	3	3	3
Width (mm)	380	440	440
Length (mm)	605	700	700
Height (mm)	20,000	25,000	35,000
Chimney diameter (mm)	130	130	130
Installation Flow (inch)	1"	1"	1"
Installation Return (inch)	1"	1"	1"
Domestic Hot Water Flow	1/2"	1/2"	1/2"
Domestic Hot Water Return	1/2"	1/2"	1/2"
Filing - Draining	1/2"	1/2"	1/2"
Electricity Connection (volt/hz)	220-50	220-50	220-50
Closed Expansion (lt)	6	8	8
Power Consumption (watt)	100	100	100

- » 24 kw – 29 kw – 40 kw capacity
- » Closed expansion installation
- » Full automatic thermostat
- » Winter/Summer mode
- » Domestic hot water supply thanks to serpentine boiler
- » Easy installation
- » Safe and quite
- » High efficiency



- A.** Burner
- B.** Expansion Tank
- C.** Circulation Pump
- D.** On-Off
- E.** Thermostat
- F.** Summer/Winter Mode
- G.** Monitoring Glass
- H.** Manothermometer
- I.** Filing/Draining
- J.** Automatic Air Purge
- K.** Pressure Switch
- L.** Bimetal Thermostat
- M.** Chimney

Oil Boiler Standarts

- » Full automatic thermostat control
- » Flames reaches all surfaces of combustion chamber and the energy gained from fuel is transferred to heating water thanks to cylindrical surface
- » Fuel consumption is minimum thanks to glass wool isolated body
- » Special oil burner provides extremely silent operation
- » Compact and easthetic appearance
- » Ergonomic design saves space

- » Easy installation within short time
- » Each boiler's gas emission is tested individually
- » Without any need to a seperate by pass valve, the serpentine of the boiler provides vast amount of domestic hot water even in summer time.
- » When the boiler is in summer mode, the circulation pump does not operate, hence saving energy
- » Long time life span
- » Reliable components

Headquarters

10013 Street No: 14 AOSB Çiğli / İZMİR / TURKEY
Phone: +90 232 449 5000(pbx)
Fax: +90 232 328 0486

Istanbul Office

Seyit Nizam Mah. Demirciler Sitesi,
Street 7 No:68 Zeytinburnu / İSTANBUL / TURKEY
Phone: +90 212 415 4870 - 546 7367
Fax: +90 212 415 9687